

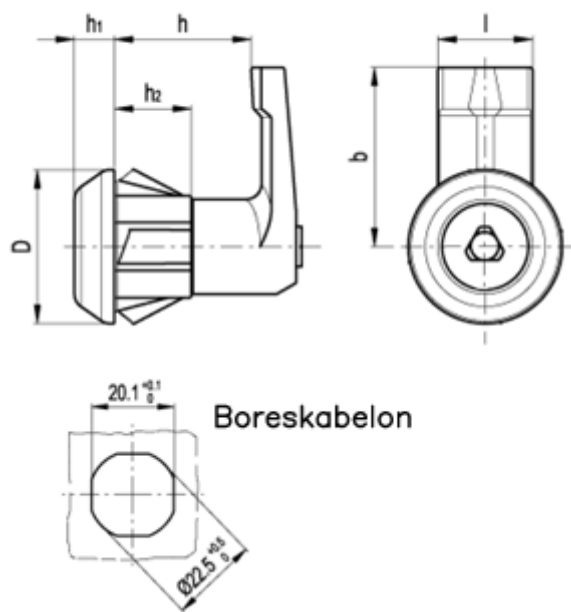
# Data Sheet



Article number: 2310421545

Description: E+G Latch w/recessed key  
CQT/T-FM-35-18-CR

## Measures



$b$	= 35
$D$	= 30
$h$	= 18
$h_1$	= 8
$h_2$	= 15
$l$	= 18.5
Weight	= 19